

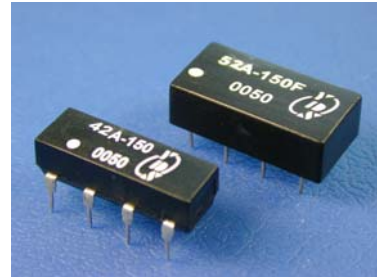


FEATURES

- 14-PIN PACKAGE.
- 3 INDEPENDENT DELAYS
- TTL SCHOTTKY INTERFACED.
- DELAY TIMES FROM 5-500nS.

ELECTRICAL CHARACTERISTICS

I _{IH} Logic"1" Input Current	:50uA max
I _{IL} Logic"0" Input Current	:-2mA max
V _{OH} Logic"1" Output Voltage	:2.7V min
V _{OL} Logic"0" Output Voltage	:0.5V max
V _{IH} Logic"1" Input Voltage	:2.0V min
V _{IL} Logic"0" Input Voltage	:0.8V max
T _A Operating Temperature	:0°C to 70°C
N _H Fanout"1" Output	:20 TTL Load
N _L Fanout"0" Output	:10 TTL Load
Supply Current	:115mA Typ.



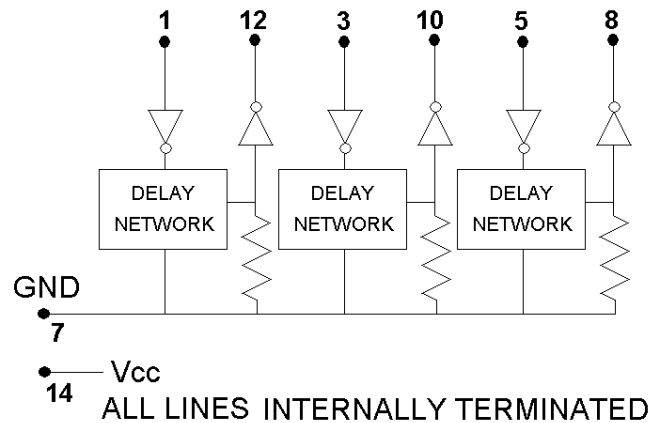
INPUT PULSE TEST CONDITION

Pulse Voltage	:3.2V
Pulse Width	:50nS min. or 100%T _d
Duty Cycle	:<50%
Pulse Rise Time	:2nS(0.75 to 2.4V)
Time Delay Measured	:@1.5V level
Supply Voltage V _{cc}	:5.0±0.25Vdc

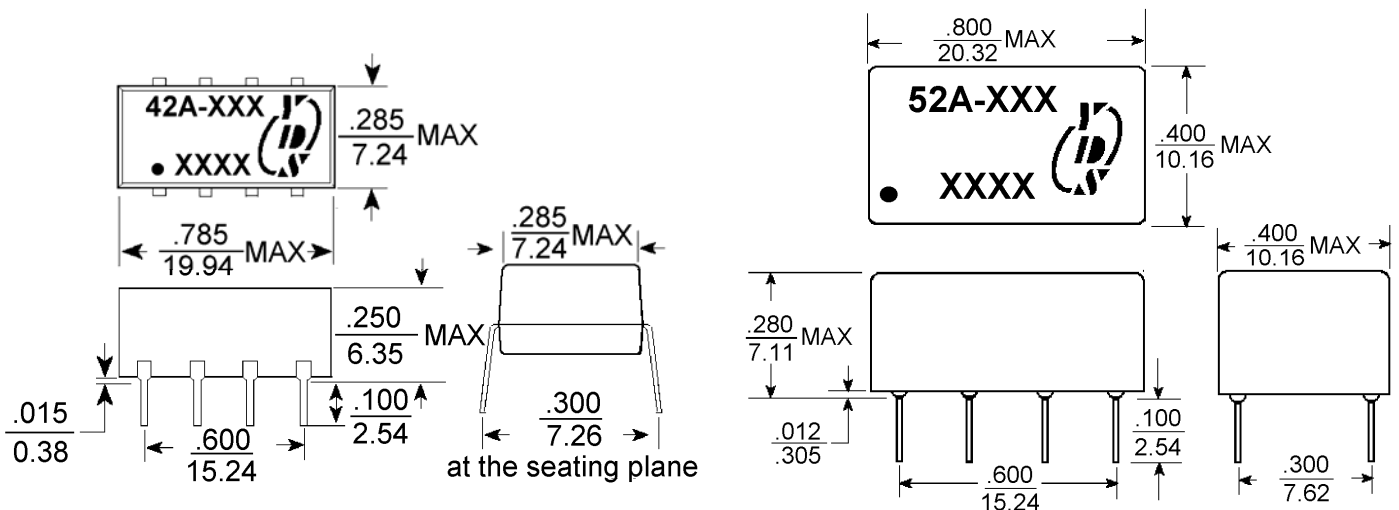
ELECTRICAL SPECIFICATIONS

PART NO.	DELAY TIME T _d (nS)	RISE TIME T _r (nS)max
42A/52A-005	5±2	4
42A/52A-010	10±2	4
42A/52A-015	15±2	4
42A/52A-020	20±2	4
42A/52A-025	25±5%	4
42A/52A-050	50±5%	4
42A/52A-075	75±5%	4
42A/52A-100	100±5%	4
42A/52A-250	250±5%	4
42A/52A-500	500±5%	4

PIN CONNECTIONS



MARKINGS AND DIMENSIONS



Dimensions: inches/mm

Unless otherwise specified, all tolerances are ±.010/±0.25